

MW536

BenQ DLP Projector



Features

- Dual HDMI inputs for multiplatform digital connectivity
- 4,000 ANSI Lumen High Brightness for Stunning Presentations
- 20,000:1 High Native Contrast for Crisp Readability
- 1.2x Zoom Ratio for High Setup Flexibility
- Simple Setup, Intuitive Operation, and Hassle-Free Maintenance
- Eco-Friendly Low Total Cost of Ownership
- BenQ Exclusive Picture Mode For Spreadsheet Contents



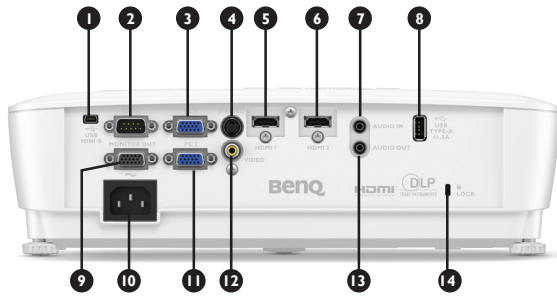
Product Specifications

Projection System	DLP Single 0.65" WXGA
Native Resolution	1280 x 800 pixels
Brightness	4,000 ANSI Lumens
Contrast Ratio*	20,000 : 1
Display Color	30 Bits / 1.07 Billion Colors
Aspect Ratio	Native 16 : 10 (5 aspect ratio selectable)
Light Source	Lamp
Light Source life**	Normal 5,500 hr / ECO 7,000 hr / Smart ECO 10,000 hr / Lamp Save 15,000 hr / Long ECO 20,000 hr
Throw Ratio	1.551~1.867
Zoom Ratio	1.2x
Keystone Correction	Auto ID, Vertical +/- 40 degrees
Projection Offset	103.0%
Projection Size	60"~150"
Built-in Speaker	2W x 1
Security	Security Bar, Kensington lock
Feature	ID Auto Keystone, High Brightness, Spreadsheet mode, Bright Mode, Presentation Mode, Infographic Mode, Video Mode, Srgb Mode
Resolution Support	VGA (640 x 480) to WUXGA_RB (1920 x 1200)
Horizontal Frequency	15K~102KHz
Vertical Scan Rate	23~120 Hz
HDTV Compatibility	480i, 480p, 576i, 567p, 720p, 1080i, 1080p
Video Compatibility	NTSC, PAL, SECAM, SDTV (480i/576i), EDTV (480p/576p), HDTV (720p, 1080i/p 60Hz)
Power Consumption	Max 260W, Normal 240W, Eco 190W
Standby Power Consumption	Normal < 0.5W
Power Supply	100~240V AC
Product Dimensions (W x H x D)	330.6 x 100.4 x 241.0 mm
Product Weight	2.6 kg
Noise Level (Normal / Eco)	32 / 29 dBA (without filter)
Operating Temperature	0 ~ 40°C
Accessories (Standard)	Quick Start Guide (4JHJ01.001) Remote Control (5JJF06.001) AAA Battery x 2 VGA Cable (1.5m) Power Cord (1.8m) Warranty Card (by Region)
Accessories (Optional)	Spare Lamp Kit (5JG705.001) 3D Glasses (5JJ9H25.002) Ceiling mount (5JJAM10.001) Carry Bag (5JJ4R09.001) Qcast Mirror (5AJH328.10X) WDC10
On Screen Display Language	Arabic / Bulgarian / Croatian / Czech / Danish / Dutch / English / Finnish / French / German / Greek / Hindi / Hungarian / Italian / Indonesian / Japanese / Korean / Norwegian / Polish / Portuguese / Romanian / Russian / Simplified Chinese / Spanish / Swedish / Turkish / Thai / Traditional Chinese / Farsi / Vietnamese (30 Languages)

* The Contrast is measure by Full On Full Off standard.

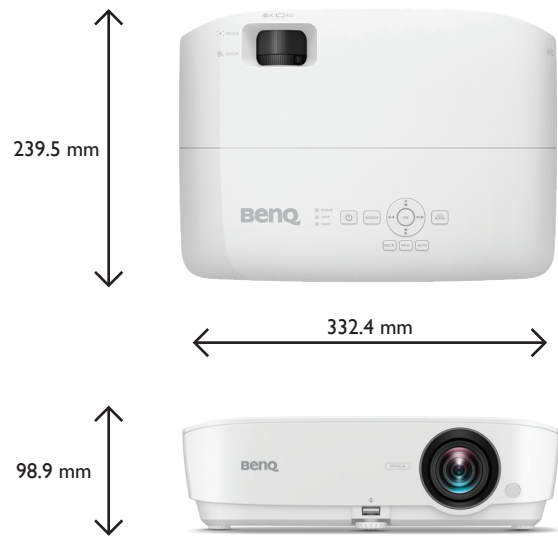
** LightSource life results will vary depending on environmental conditions and usage. Actual product's features and specifications are subject to change without notice.

Input and Output Terminals



- ❶ USB Type min B (For FW upgrade)
- ❷ RS232 Input (D-sub 9pin, male)
- ❸ Computer Input (D-sub 15pin, Female)
- ❹ S-Video
- ❺ HDMI 1
- ❻ HDMI 2
- ❼ Audio Input (mini jack)
- ❽ USB Type A (1.5A power)
- ❾ Monitor Output (D-sub 15pin, Female)
- ❿ AC Power cord inlet
- ⓫ Computer Input (D-sub 15pin, Female)
- ⓬ Composite Video (RCA)
- ⓭ Audio Output (mini jack)
- ⓮ Kensington anti-theft lock slot

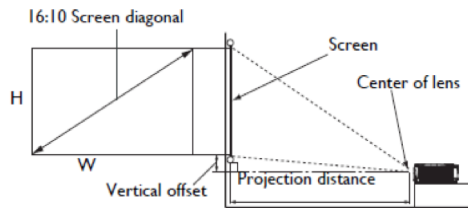
Dimensions



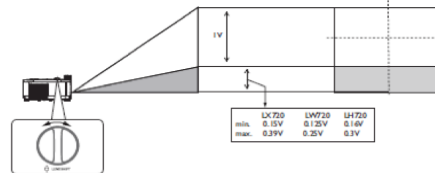
Distance Chart

Screen size				Distance from screen (mm)			Vertical Offset (mm)
Diagonal	W	H	Min length	Average	Max distance		
inch	mm	(mm)	(max. zoom)		(min. zoom)		
40	1016	862	538	1310	1447	1583	20
50	1270	1077	673	1652	1823	1993	25
60	1524	1292	808	1995	2200	2404	30
70	1778	1508	942	2337	2576	2814	36
80	2032	1723	1077	2680	2953	3225	41
90	2286	1939	1212	3022	3329	3636	46
100	2540	2154	1346	3365	3706	4046	51
120	3048	2585	1615	4050	4459	4867	61
150	3810	3231	2019	5077	5588	6099	76
200	5080	4308	2692	6790	7471	8152	102
250	6350	5385	3365	8502	9353	10204	127
300	7620	6462	4039	10215	11236	12257	152

The screen aspect ratio is 16:10 and the projected picture is in a 16:10 aspect ratio

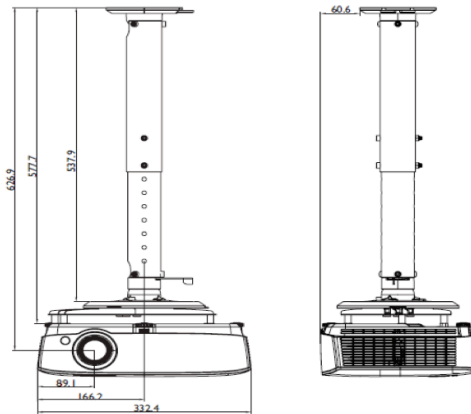
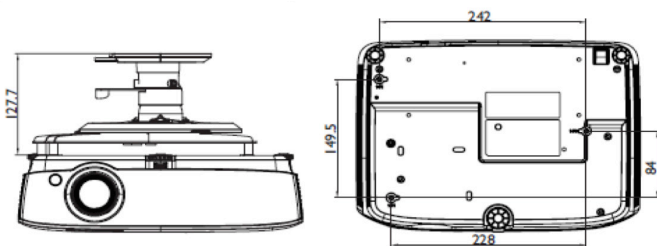


Shifting the projection lens



Ceiling Mount Chart

Ceiling mount screw: M4 (Max L = 25 mm; Min L = 20 mm)
Unit: mm



BenQ Europe B.V.

Meerenakkerweg 1-17
5652 AR Eindhoven
The Netherlands
Tel: +31 88 8889200
Fax: +31 88 8889299

BenQ.eu

© 2020 BenQ Corp. Specification may vary by region, please visit your local stores for details.
Actual product's features and specifications are subject to change without notice.
This material may include corporate names and trademarks of third parties which are the properties of the third parties respectively.

BenQ