

ViewSonic® VIEWBOARD IFP8652

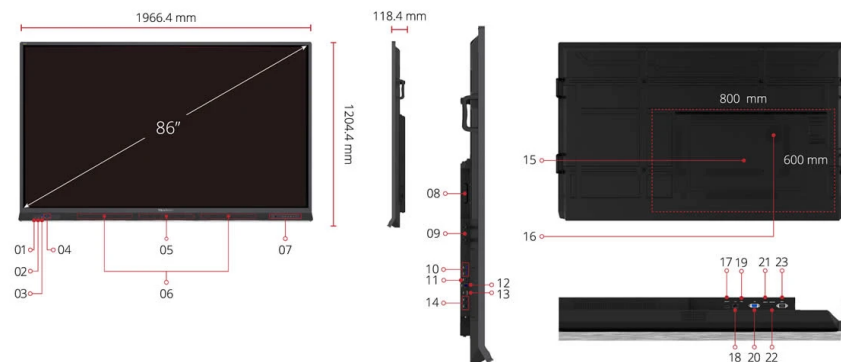
Główne cechy

- USB-C for plug-and-play connectivity via a single cable
- Angular design with easy access shortcut keys for seamless usability
- Dual-pen, 33-point touch with naturally smooth writing experience
- Industry-leading audio and advanced eye-care technology
- Centralized remote management system via myViewBoard Manager



Opis produktu

The ViewBoard® 52 Series is a 4K Ultra HD interactive whiteboard equipped with user-centric design features and best-in-class collaboration tools for today's lessons made easy. With a single-cable solution for instant, worry-free connectivity and a unique angular design for easy access to shortcut keys and I/O ports, teachers can seamlessly connect and control for uninterrupted, flowing classes. Dual-pen capability, 33-point touch, Ultra Fine Touch and palm awareness technology combine for a naturally smooth writing experience and endless opportunities for student collaboration, supported by 2X15W front-facing speakers and a 15W subwoofer for amplified student engagement. In another industry-first feature of the display, teachers facilitating distance or hybrid learning from their personal device can easily access the 8-mic array and any connected visualizer to select the most appropriate camera and mic source. Complete with a browser-based remote management system, the ViewBoard 52 Series delivers a market-leading interactive whiteboard solution for teachers, students, and IT managers.



- | | | | |
|--------------------------|----------------------|----------------------------------|--------------|
| 1. Type-C | 8. OPS Slot | 15. VESA® Wall Mount 600 x 400mm | 22. Earphone |
| 2. HDMI In | 9. Wi-Fi Module Slot | 16. Subwoofer | 23. RS232 |
| 3. Touch | 10. USB 3.0 X 2 | 17. HDMI Out | |
| 4. USB 3.0 X 2 | 11. USB 2.0 | 18. LAN | |
| 5. 8-Microphone Array | 12. Touch | 19. SPDIF | |
| 6. Front-Facing Speakers | 13. DP In | 20. VGA | |
| 7. Menu Controls | 14. HDMI In X 2 | 21. Audio In | |

Odwiedź Nas

www.viewsonic.com

WYŚWIETLACZ

Rozmiar panelu:	86"
Typ panelu:	TFT LCD Module with DLED Backlight
Obszar wyświetlania (mm):	1895.04(H) x 1065.96(V)
Proporcje obrazu:	16:9
Rozdzielczość:	UHD 3840x2160(Pixels)
Colors:	1.07B colors (10bit)
Jasność:	450 nits (typ.)
Współczynnik kontrastu:	1200:1 Typ. , 5000:1 Max.(DCR enable)
Czas reakcji:	8ms
Kąty widzenia:	H = 178, V = 178 typ.
Czas pracy podświetlenia:	50,000 Hours (Typ.)
Obróbka powierzchni:	Hardness: 9H with Anti-Fingerprint coating & Anti-Glare coating
Disclaimer:	50,000 hours backlight life at 8 hours of use per day

PLATFORMA

Procesor:	ARM Cortex A73*4
RAM:	4GB (IFP8652-1A), 8GB (IFP8652-1B)
Pamięć masowa:	32GB (IFP8652-1A), 64GB (IFP8652-1B)

TOUCH

Rodzaj/Technologia:	UFT (Ultra Fine Touch) Technology
Czułość dotyku:	32767 x 32767
Punkt dotyku:	Windows: 33 points touch, Android: 20 points touch

INPUT

HDMI:	x2 (3840x2160@60Hz, HDCP2.2, CEC, Front x1, Side x 1), x1 (3840x2160@60Hz, HDCP2.2, CEC, ARC, Side x 1)
RGB / VGA:	x1 (1920x1080 @60Hz)
DisplayPort:	x1 (3840x2160 @60Hz)
Dźwięk:	x1 (PC audio in)
RS232:	x1
OPS:	module slot x 1
WiFi:	module slot x 1

OUTPUT

HDMI:	x1 (on demand)
Dźwięk:	x1 (Earphone out)
SPDIF:	x1 (optical)

SIEĆ LOKALNA

RJ45:	x1
-------	----

GŁOŚNIKI

15W x 2 + 15W x 1 subwoofer

MICROPHONE

built-in 8-array microphone

TOP CAMERA PLATE

Yes

ZINTEGROWANY SYSTEM OPERACYJNY

Android 11

PAKIET OPROGRAMOWANIA

Basic Annotation Software:	myViewBoard WhiteBoard for Android
Pro Annotation Software:	myViewBoard WhiteBoard for Windows (embedded in VPC)
Wireless Presentation:	ViewBoard Cast & myViewBoard Display

CECHY SZCZEGÓLNE

All-in-one USB port:	USB 3.0 x 4
Proste udostępnianie LAN między IFP a urządzeniem typu "slot-in":	10/100/1000M for Android and PC
Light Sensor:	Yes

MOC

Napięcie:	100-240VAC +/- 10% Wide Range
Zużycie energii:	187.9W (Typ.) < 0.5 W ("Off")

ERGONOMICS

Uchwyt do montażu na ścianie (standard VESA®):	800 x 600
--	-----------

OPERATING CONDITIONS

Temperatura (° C):	0°C to 40°C
Wilgotność powietrza:	20% ~ 80% RH Non-Condensing

WYMIARY (S X W X G)

Wymiary fizyczne (cale / mm):	1966.4 (W) x 1204.4 (H) x 118.4 (D) mm, 77.42 (W) x 47.42 (H) x 4.66 (D) inch
Opakowanie (cale/mm):	2140 (W) x 1340 (H) x 280 (D) mm, 84.25 (W) x 52.76 (H) x 11.02 (D) inch

WEIGHT

Waga netto (lb / kg):	156.53 lb / 71.0 kg
Brutto (lb/kg):	196.43 lb / 89.1 kg

REGULATIONS

cTUVus, FCC, EPEAT, Mexico coc, Mexico Energy, RoHS, Energy Star 8, CEC, EMC/CE, CB, RoHS & DOC, REACH, WEEE, ErP, EEL, RCM, BIS, PSE, VCCI, CCC, CECP, BSMI

ZAWARTOŚĆ OPAKOWANIA

1. Power cable (3 meters) 2. Remote control 3. USB Type-C cable (1.5 meters) 4. USB Touch cable (3 meters, USB2.0) 5. Touch pen x 2 6. Quick Start Guide + Compliance statement 7. RS232 adapter 8. Clamp x 5 9.

Typ A:	USB 2.0 x1(Side x1), USB 3.0 x4 (Front x2, Side x2, SmartPort™ USB)	Camera Plate 10. Screw x 8 (camera 2+2, wall mount 4) 11. HDMI cable (3 meters) 12. Eraser 13. AAA Battery x 2 KOMPATYBILNY KOMPUTER TYPU SLOT-IN VPC12 & VPC25/27-O & VPC25/27-O-B series
Typ B:	x2, for touch	
Typ C:	x1 (USB3.0, DP1.2 Alt Mode, Ethernet, PD 60W)	

Copyright © ViewSonic Corporation 2000-2024. All rights reserved.